



Date _____



| | | | | |
|----------------|----------|------|------------|-------|
| Approval | Resubmit | File | Other | _____ |
| Project | _____ | | Architect | _____ |
| Location | _____ | | Engineer | _____ |
| Rep | _____ | | GC | _____ |
| Rep PM | _____ | | Mech Contr | _____ |
| Unit(s) Tag(s) | _____ | | | |



Inverter

Vertical Heat pump with Electric Heater - 208-240V / 1Ph / 60Hz Version

SPECIFICATION DATA

| Model Number | Power Supply (V/Ph/Hz) | Cooling | | | | | Indoor Air Flow @ 0.1 in. w.g. | Indoor Noise Level (dB(A)) | Outdoor Noise Level (dB(A)) |
|-----------------|------------------------|------------------|-----------------|-------------|------------------------|-----------------------|--------------------------------|----------------------------|-----------------------------|
| | | Capacity (Btu/h) | Range (Btu/w.h) | EER (Btu/h) | Part-load IEER (Btu/h) | Rated Power Input (W) | | | |
| VTACDC-HEH-09-X | 208- | 9300/9300 | 5560-11800 | 12.1/12.1 | 20 | 770/770 | 465/350/305 | 55/47/45 | 62/59 |
| VTACDC-HEH-12-X | 240 | 11600/11800 | 5600-14000 | 11.4/11.4 | 19.6 | 1015/1035 | 465/390/305 | 55/49/46 | 64/60 |
| VTACDC-HEH-15-X | /1/60 | 14700/14700 | 6560-16300 | 11.0/11.0 | 17.3 | 1335/1335 | 465/465/390 | 55/55/54 | 64/62 |

| Model Number | Heating | | | Electric Heater @230 (kW) | Max. Input (W) | Max. Current (A) | MCA (A) | MOP (A) |
|-----------------|------------------|-----------|-----------------|---------------------------|----------------|------------------|---------|---------|
| | Capacity (Btu/h) | COP (W/W) | Power input (W) | | | | | |
| VTACDC-HEH-09-X | 8500/8500 | 3.6/3.6 | 690/690 | 3.6 | 1165 | 6.6 | 18.5/20 | 20/20 |
| VTACDC-HEH-12-X | 11600/11800 | 3.6/3.6 | 945/960 | 3.6 | 1350 | 7.6 | 18.5/20 | 20/20 |
| VTACDC-HEH-15-X | 13500/14000 | 3.3/3.3 | 1240/1240 | 5 | 1600 | 9.3 | 25.5/28 | 30/30 |

Note: All units are equipped with DIP switch controlled fresh air vent and with freeze protection temperature sensors at indoor and outdoor coil as standard features.



Date _____



| Model Number | Compressor Type | Refrigerant | | Unit Weight | | Loading Quantity (20'/40'/40'HQ) |
|-----------------|-----------------|-------------|----------------|--------------|---------------|-------------------------------------|
| | | Type | Charge (oz) | Net (lbs) | Ship (lbs) | |
| VTACDC-HEH-09-X | Rotary | R410A | 37 | 170 | 190 | 52/102/102 |
| VTACDC-HEH-12-X | Rotary | R410A | 37 | 170 | 190 | 52/102/102 |
| VTACDC-HEH-15-X | Rotary | R410A | 39 | 170 | 190 | 52/102/102 |

| | | |
|--|--|--|
| E2CORD-230V20A & Perpendicular Receptacle NEMA 6-20R | | Available for electric heater with 3.6 kW heating power. |
| E2CORD-230V30A & Large Tandem Receptacle NEMA 6-30R | | Available for electric heater with 5 kW heating power. |

CONTROL OPTIONS

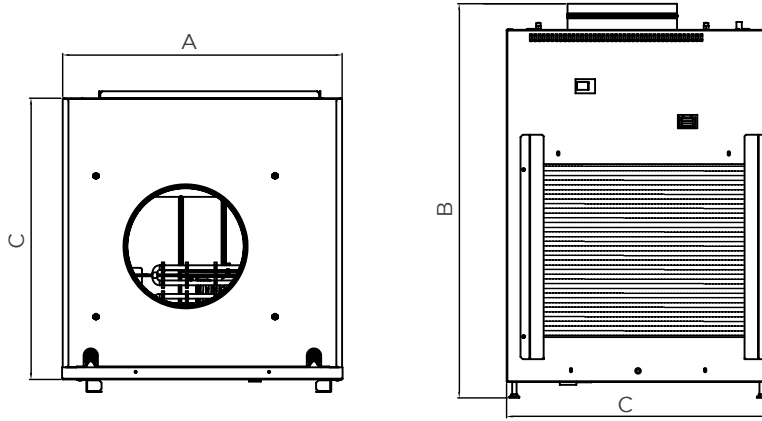
| Controllers |
|-----------------------------------|
| 24V Thermostat* (Optional) |

ACCESSORIES

| Wall Sleeves | Grilles |
|-----------------|------------------------------|
| 6" Wall sleeve | Architectural outdoor grille |
| 8" Wall sleeve | |
| 12" Wall sleeve | |
| 15" Wall sleeve | |

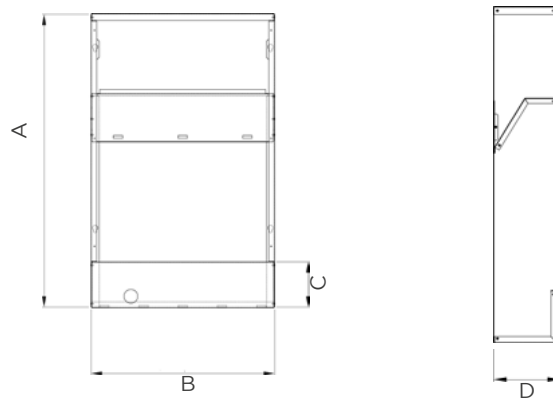
*24V thermostats available for different applications. Please consult us for details.

DIMENSIONAL DATA



| Unit Dimensions (in.) | | |
|-----------------------|--------|--------|
| A | B | C |
| 23-1/8 | 31-1/4 | 23-1/8 |

WALL SLEEVE DIMENSIONAL DATA



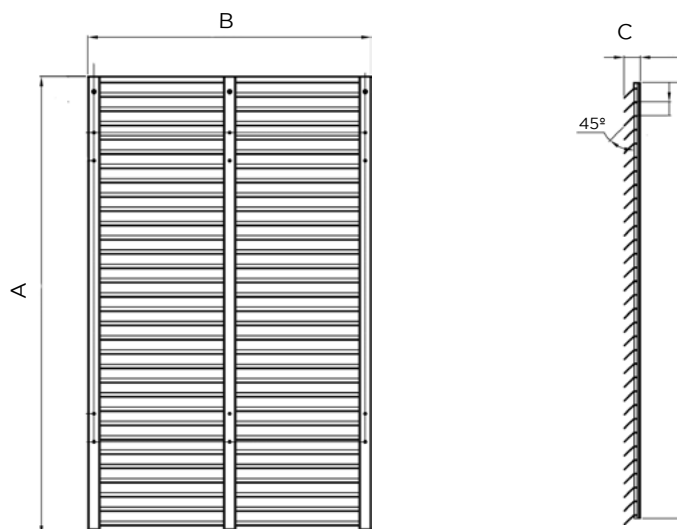
| Unit Dimensions (in.) | | | | | | |
|-----------------------|-------|---|----|---|----|----|
| A | B | C | D* | | | |
| 31-7/8 | 19-34 | 5 | 6 | 8 | 12 | 15 |



Date _____



ARCHITECTURAL OUTDOOR GRILLE (OPTIONAL)



| Unit Dimensions (in.) | | |
|-----------------------|--------|--------|
| A | B | C |
| 32-1/8 | 19-7/8 | 1-3/16 |

Note: Product dimensions are within 1/16 inches.