



Date \_\_\_\_\_



Approval	Resubmit	File	Other	_____
Project	_____		Architect	_____
Location	_____		Engineer	_____
Rep	_____		GC	_____
Rep PM	_____		Mech Contr	_____
Unit(s) Tag(s)	_____			



# Standard

Vertical Heat pump with Electric Heater - 208-240V / 1Ph / 60Hz Version

## SPECIFICATION DATA

Model Number	Power Supply (V/Ph/Hz)	Cooling			Indoor Air Flow (CFM)	Indoor Noise Level (dB(A))	Outdoor Noise Level (dB(A))
		Capacity (Btu/h)	EER (Btu/w. h)	Rated Power Input (W)			
VTAC-HEH-09-X	208-240/1/60	9100/9300	12.1/12.1	750/770	355/257	60/55	65
VTAC-HEH-12-X		11500/11700	11.8/11.8	975/990	456/371	60/57	67
VTAC-HEH-18-X		16800/17000	11.0/11.0	1525/1545	436/355	61/57	67

Model Number	Heating			Electric Heater @230 (kW)	Max. Input (W)	Max. Current (A)	MCA (A)	MOP (A)
	Capacity (Btu/h)	COP (W/W)	Power input (W)					
VTAC-HEH-09-X	8300/8500	3.55/3.51	685/710	3.6	917	4.8	18.3/20.3	20/25
VTAC-HEH-12-X	10300/10500	3.50/3.50	860/880	3.6	1332	7.59	18.3/20.3	20/25
VTAC-HEH-18-X	15500/15700	3.30/3.30	1375/1395	5	1800	11.63	25.2/27.9	30/30

**Note:** All units are equipped with freeze protection temperature sensors at indoor and outdoor coil as standard features.



Date \_\_\_\_\_



Model Number	Compressor Type	Refrigerant		Unit Weight		Loading Quantity (20'/40'/40'HQ)
		Type	Charge (oz)	Net (lbs)	Ship (lbs)	
VTAC-HEH-09-X	Rotary	R410A	37	116	135	52/102/102
VTAC-HEH-12-X	Rotary	R410A	34	121	140	52/102/102
VTAC-HEH-18-X	Rotary	R410A	45	132	152	52/102/102

E2CORD-230V20A & Perpendicular Receptacle NEMA 6-20R		Available for electric heater with 3.6 kW heating power.
E2CORD-230V30A & Large Tandem Receptacle NEMA 6-30R		Available for electric heater with 5 kW heating power.

## CONTROL OPTIONS

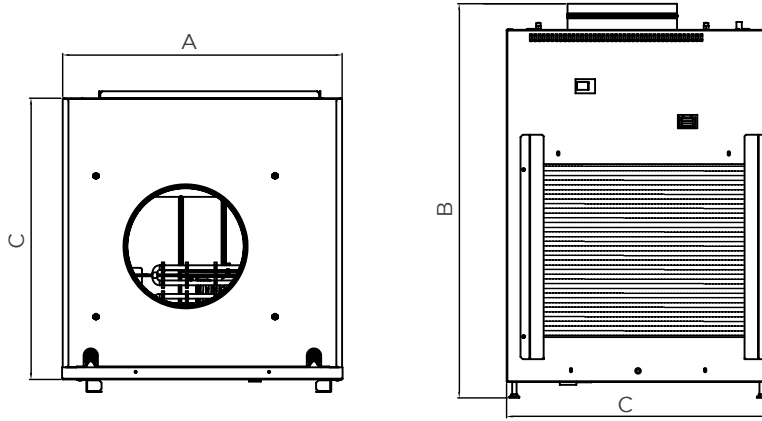
Controllers
24V Thermostat* <b>(Optional)</b>

## ACCESSORIES

Wall Sleeves	Grilles
6" Wall sleeve	Architectural outdoor grille
8" Wall sleeve	
12" Wall sleeve	
15" Wall sleeve	

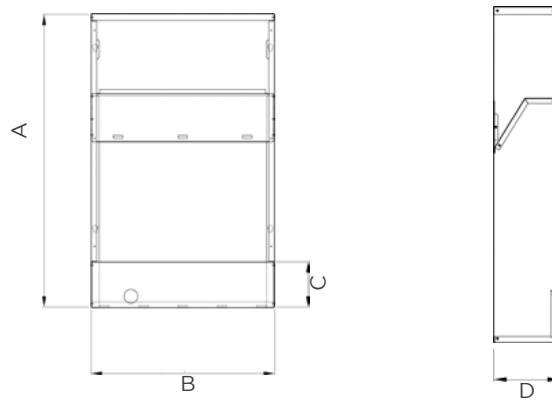
\*24V thermostats available for different applications. Please consult us for details.

## DIMENSIONAL DATA



Unit Dimensions (in.)		
A	B	C
23-1/8	31-1/4	23-1/8

## WALL SLEEVE DIMENSIONAL DATA



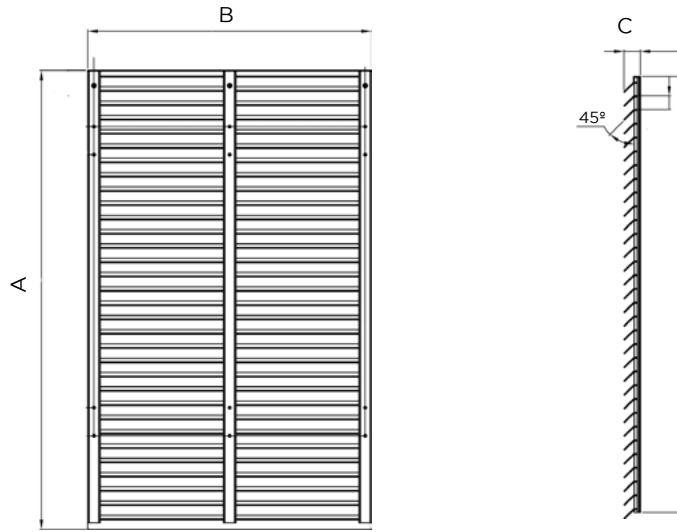
Unit Dimensions (in.)						
A	B	C	D*			
31-7/8	19-3/4	5	6	8	12	15



Date \_\_\_\_\_



### ARCHITECTURAL OUTDOOR GRILLE (OPTIONAL)



Unit Dimensions (in.)		
A	B	C
32-1/8	19-7/8	1-3/16

**Note:** Product dimensions are within 1/16 inches.